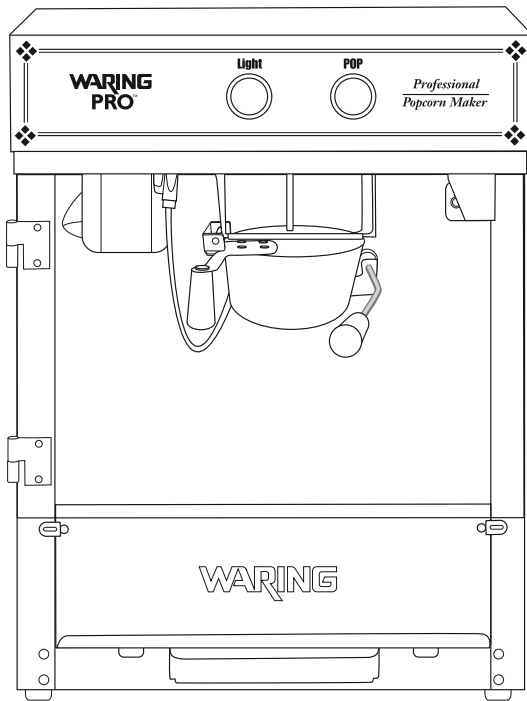


# WARING PRO™

## PROFESSIONAL POPCORN MAKER



**WPM40 Series**

For your safety and continued enjoyment of this product,  
always read the instruction book carefully before using.

# IMPORTANT SAFEGUARDS

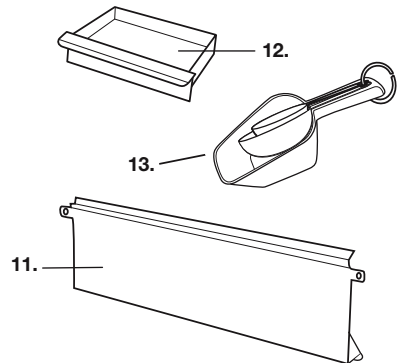
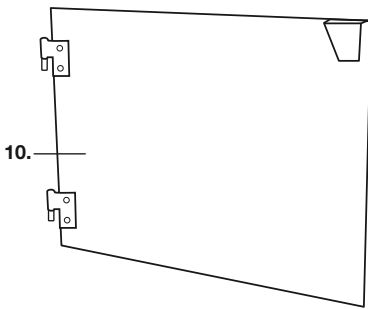
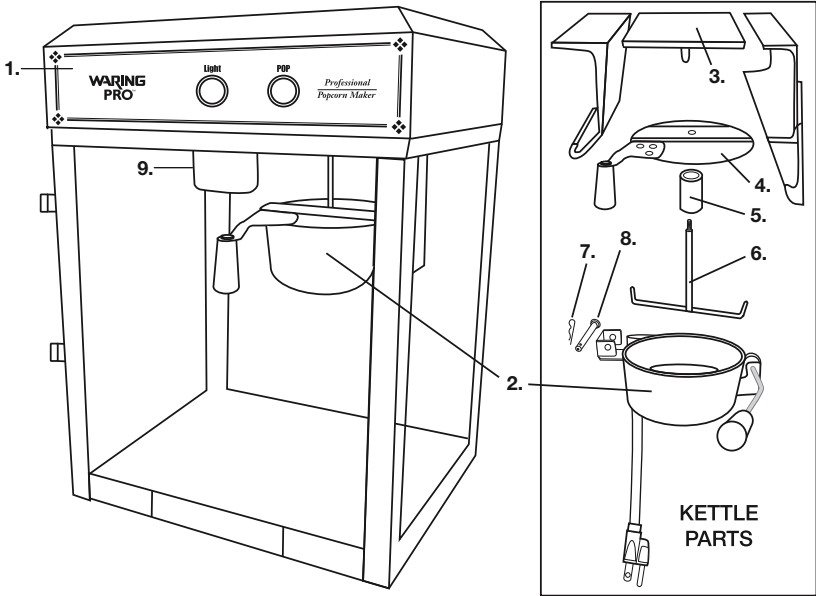
When using any electrical appliance, basic safety precautions should always be followed, including the following:

1. **READ ALL INSTRUCTIONS BEFORE USING YOUR POPCORN MAKER.**
2. **Unplug main power cord from outlet while not in use and before cleaning.**
3. To avoid any risk of electrical shock, do not immerse cord or plug into water or other liquid.
4. This appliance should not be used by or near children, or individuals with certain disabilities.
5. Do not touch hot surfaces. Always use handles or knobs to operate.
6. Allow Hot parts to cool down before maneuvering.
7. Do not operate the appliance with damaged cord or plug, or after the appliance malfunctions or has been damaged in any matter. Send the unit to the nearest authorized service center for examination, repair or adjustment. (ONLY technicians should open up the unit.)
8. The use of any accessories or attachments not recommended by the manufacturer may cause injury.
9. Do not pop the kernels with a dry kettle (without oil).
10. Do not immerse popping kettle into water.
11. Kettle surface is HOT and should NOT be touched during popping or just after use.
12. Unplug, allow to cool, clean and cover the unit and store in a dry and safe place if not being used for a long time.
13. Do not let power cord hang over edge of table or counter or touch any hot surfaces.

14. Do not place the unit on or near a hot gas or electric burner or in a heated oven.
15. Extreme caution must be paid when moving the appliance containing hot oil or other hot liquids.
16. Turn ALL switches to OFF position before disconnecting power plug from the wall supply outlet.
17. Not recommended for outdoor use.
18. Do not use appliance for other than intended use.
19. To avoid overheating, always add oil and then kernels before operating.
20. Extreme caution must be used when unloading popcorn. Always place the unit over a countertop so that residual hot oil or water running out will not cause burns.
21. KEEP OUT OF REACH OF CHILDREN.
22. DO NOT CLEAN USING ANY ABRASIVE MATERIAL.
23. NEVER FORCE ANY PARTS OR BRACKETS INTO POSITION.
24. NO PARTS ARE INTENDED FOR THE DISHWASHER.

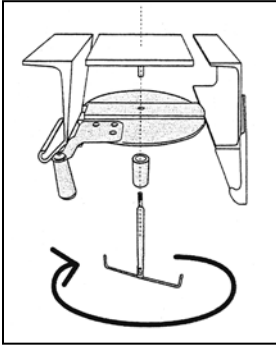
**SAVE THESE INSTRUCTIONS  
FOR HOUSEHOLD USE ONLY**

# PARTS

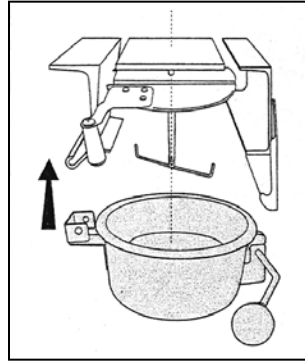


- |                  |                                 |
|------------------|---------------------------------|
| 1. Housing       | 8. Pin                          |
| 2. Kettle        | 9. Light/Warmer                 |
| 3. Gear Box      | 10. Door                        |
| 4. Kettle Lid    | 11. Door Panel (removable)      |
| 5. Axle Fixer    | 12. Tray (removable)            |
| 6. Stirrer       | 13. Measuring Spoons and Scoops |
| 7. Retaining Pin |                                 |

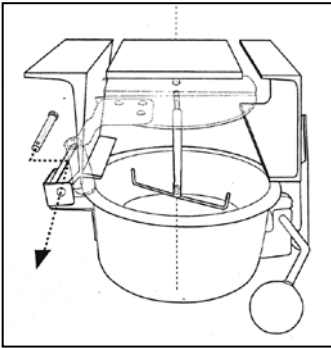
# ASSEMBLING PROCEDURE



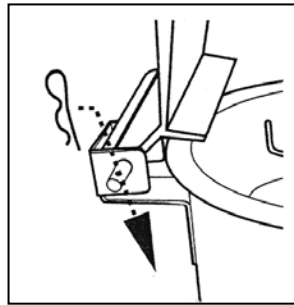
**FIGURE 1**  
Screw the kettle lid, axle fixer and stirrer onto the gear box.



**FIGURE 2**  
Hold the kettle on the supporter.

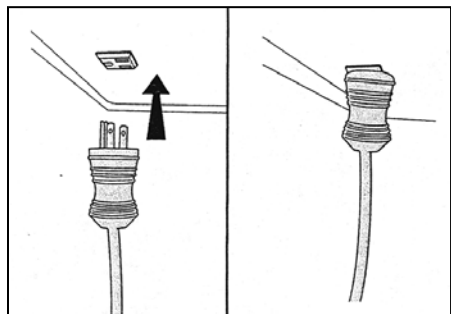


**FIGURE 3**  
Insert the pin through the kettle and supporter.



**FIGURE 4**  
Use the retaining pin to fix kettle at the right position.

**FIGURE 5**  
Finally, insert the internal kettle plug into the socket on the inner top of the popcorn maker housing.



## POPPING INSTRUCTIONS

1. Make sure the popcorn maker is unplugged before you do any of the following.
2. Before using the unit, please check carefully if voltage (120V – 60 Hz ) is suitable to your home.
3. Clean the internal surface of the kettle with warm sudsy water, rinse well and dry with a clean cloth. Wipe down inner and outer housing with damp cloth.
4. Main unit has 2 function switches as follows:
  - Light/warmer combination
  - POP switch to turn heater and stirrer on
5. Hook the kettle onto the hanger of the main unit.
6. Plug the power cord into an electric outlet.
7. Insert the internal plug into the socket (see figure 5, previous page).
8. Turn the light switch to the On position and the POP switch to the On position. The stirrer will begin to rotate in the kettle. Let the stainless steel kettle preheat about 3 to 4 minutes. Open lid and add oil (1 tablespoon of vegetable, corn, peanut, or safflower oil). Immediately add ½ cup of corn kernels and close lid to the kettle.  
**Caution: Lid might be hot – it is recommended to use an oven mitt.**
9. Popcorn starts popping out through the lid after about 2 minutes. Yields up to 12 cups per batch in less than 2½ minutes.
10. When unit is finished popping – you will no longer hear the corn popping – immediately turn POP switch to the Off position and rotate the roller bar of the kettle down to release any remaining popcorn in the popper. This will also stop the remaining popcorn from cooking any further and avoid possible burning.
11. The light/warmer switch may be left in the On position.
12. Keep POP switch Off if the unit is not continuously in use.

13. Keep only the light/warmer switch on.
14. Remove plug from power supply if the unit is not being used.
15. Repeat steps 7 to 10 for continuous popping.

## **CLEANING AND MAINTENANCE**

It is strongly recommended to clean the kettle frequently to avoid burning excess oil onto the bottom of the inner pot.

After using the popcorn machine, use a wet cloth to clean the main unit, main body and glass. It is strongly recommended to wash and dry the tray after each use to avoid any bacteria buildup.

## **LIGHT/WARMER**

The light/warmer bulb can be replaced with a 120V, 60W maximum bulb only.

## **QUICK CLEANING PROCEDURE**

Turn the POP control to Off. Pour 5 to 8 ounces of water (NO detergent is necessary) into inner pot. Switch to On to boil the water and let the stirrer turn in order to remove excess oil stuck on the surface. Pour out the water into a deep bowl and discard after about 1 to 2 minutes of boiling.

**CAUTION: THE KETTLE IS HOT.**

Or, remove the kettle and clean it with a Scotch-Brite® scouring pad. Do not immerse kettle or electrical plug in water.

**Any other trademarks or service marks of third parties herein are the trademarks or service marks of their respective owners.**

**©2009 Waring Products  
Division of Conair Corporation  
150 Milford Road  
East Windsor, NJ 08520  
[www.waringpro.com](http://www.waringpro.com)**

**Printed in China  
WPM40 IB  
09WR13126**

**IB-8867B**